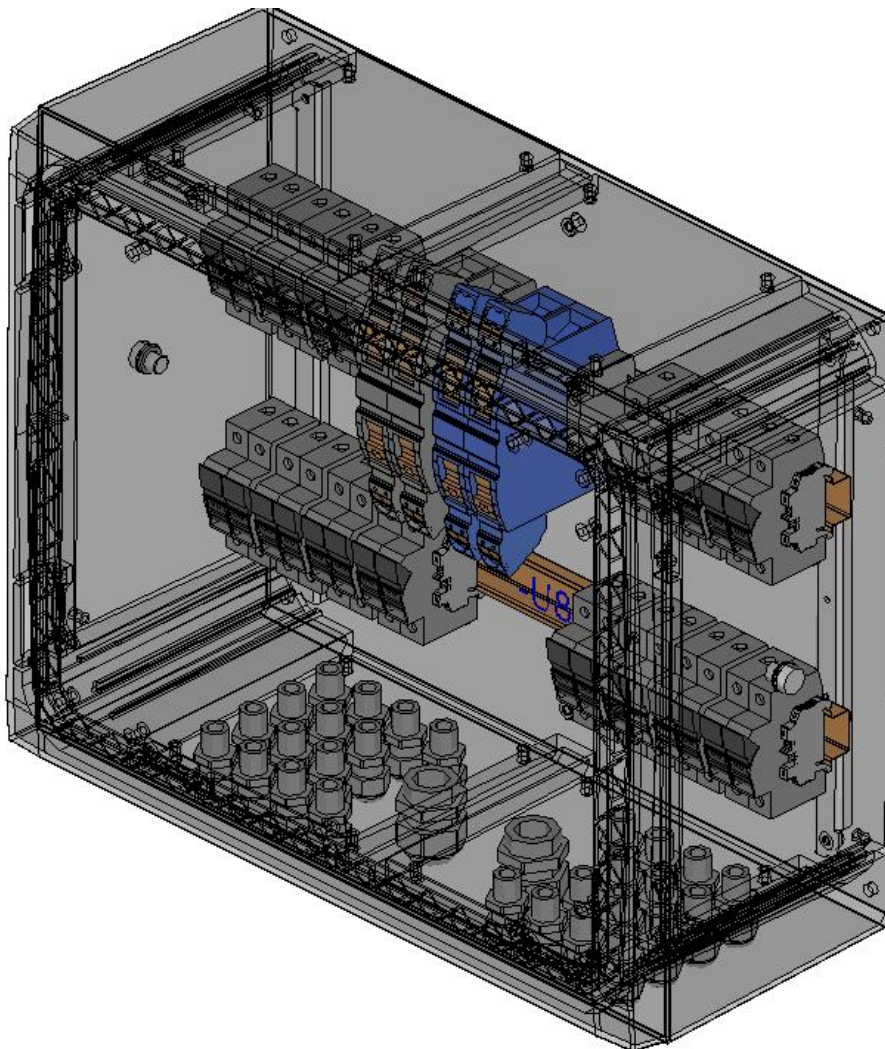


TECHNICAL DATASHEET

Combiner for STP60 Converter

SOL-SC1-14ST-0-F-21



General technical data

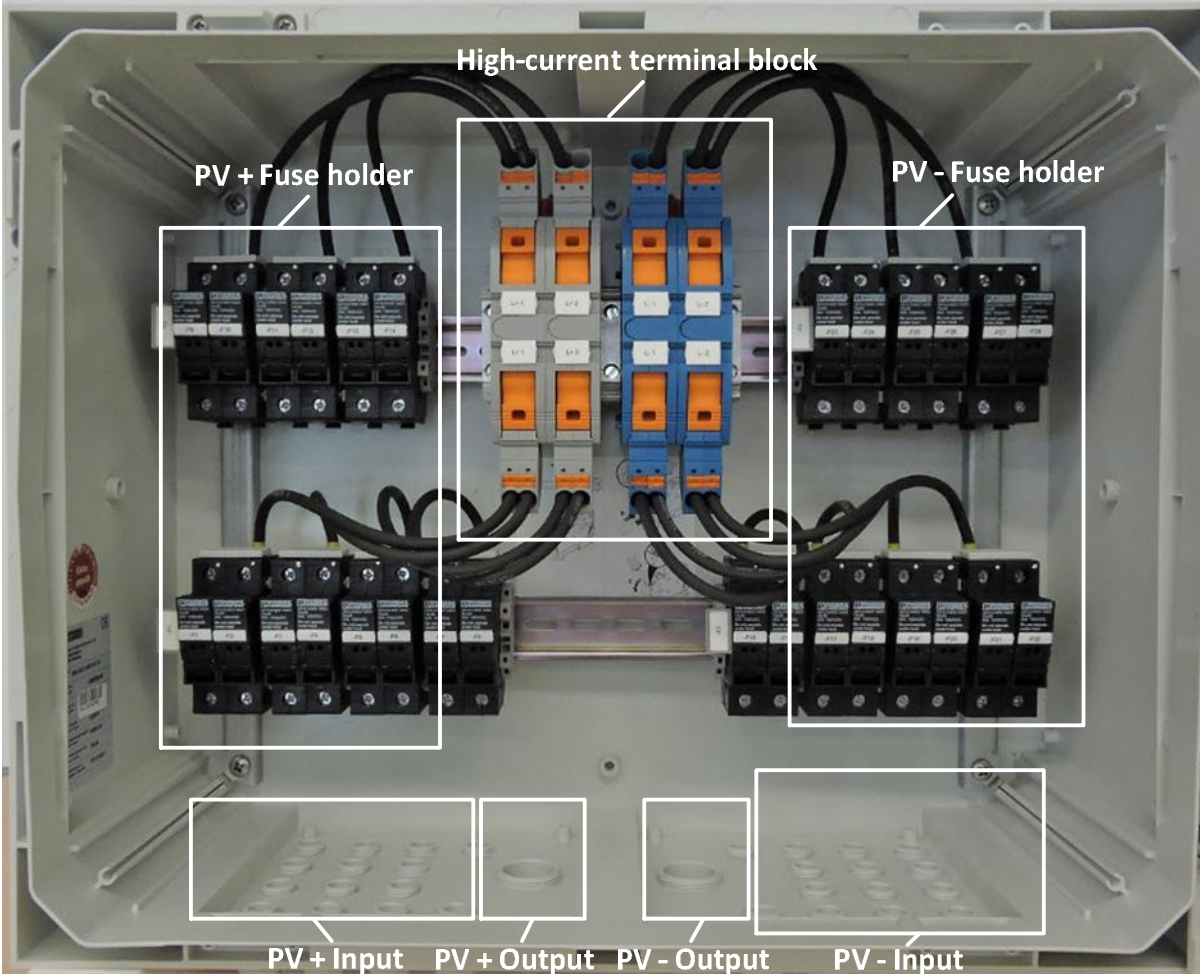
Type definition: **SOL-SC1-14ST-0-F-21**

- Max. continuous operating voltage $U_{OCmax} = 1000V$ DC
- Max. current per string $I_{MAX} = 14,25A$ (per string)
- Protection degree IP65
- Temperature range $-20^{\circ}C \dots +60^{\circ}C$ (with derating above $+45^{\circ}C$)
- Housing material Polycarbonate
- Housing type Fibox Arca 405021
- Dimensions (WxHxD in mm) 500x400x210
- Surge protection no surge protection

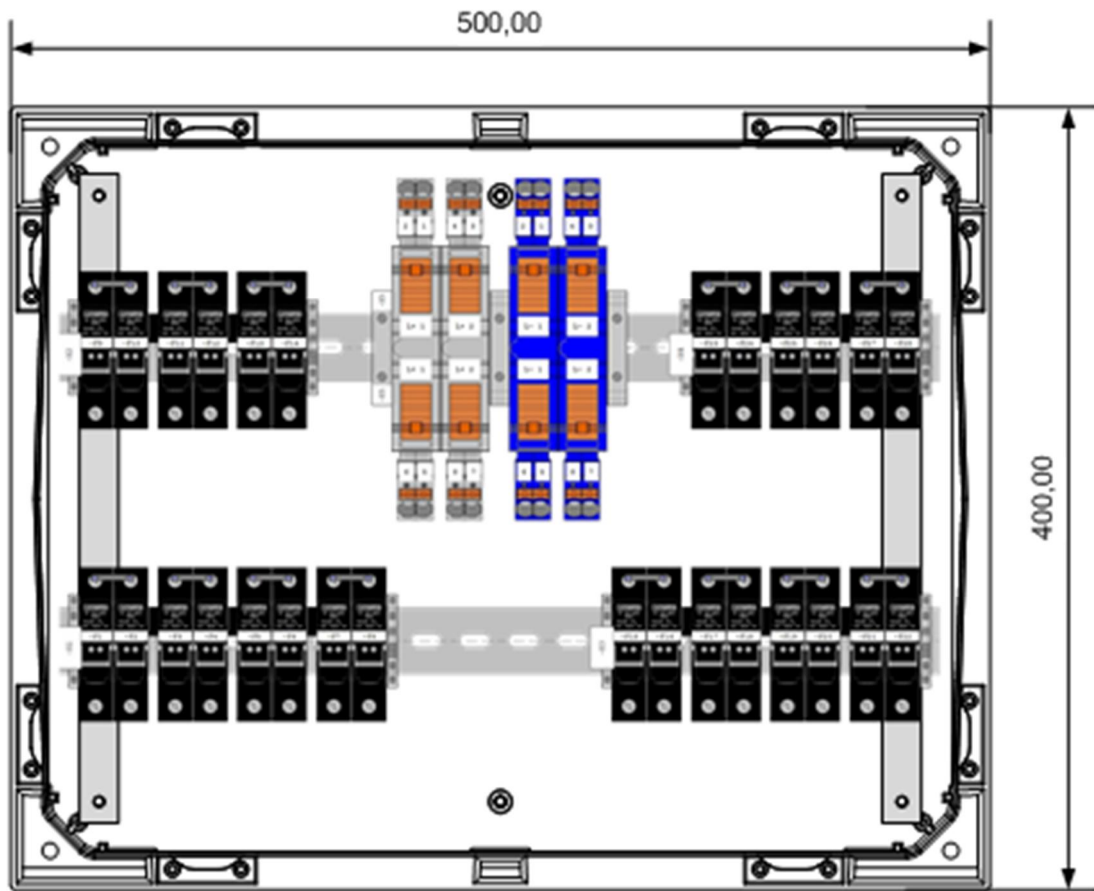
- DC Input strings
 - o Number of strings: 14
 - o Monitoring: No string monitoring
No voltage monitoring
 - o Fuse holders: 28 pieces
 - o Fuses: 10,3x38 Midget gPV fuses (No fuses included, must be ordered separately)
 - o String entry for "+" side: 14 pieces cable gland M16
 - o String entry for "-" side: 14 pieces cable gland M16
 - o Clamping range M16 gland: 5...10mm
 - o Conductor size inputs: 1,5mm²...16mm² (stranded conductor with ferrule)
1,5mm²...25mm² (solid conductor)

- DC output
 - o DC output for "+" side: 1 pieces cable gland M32
 - o DC output for "-" side: 1 pieces cable gland M32
 - o Clamping range M25 gland: 18...25mm
 - o Conductor size outputs: 25mm²...95mm² (stranded conductor with ferrule)
25mm²...95mm² (solid conductor)
 - o Max. Output current: 199,5A
 - o Connection aluminum conductor: with AL/CU cable lug

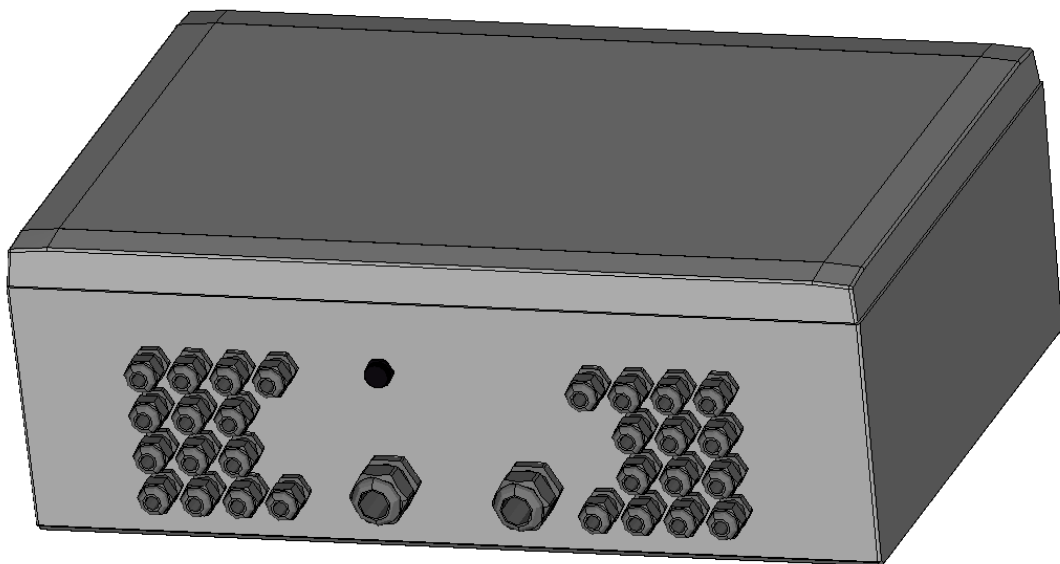
Layout/Drawings



Overview



Frontview



Bottom view